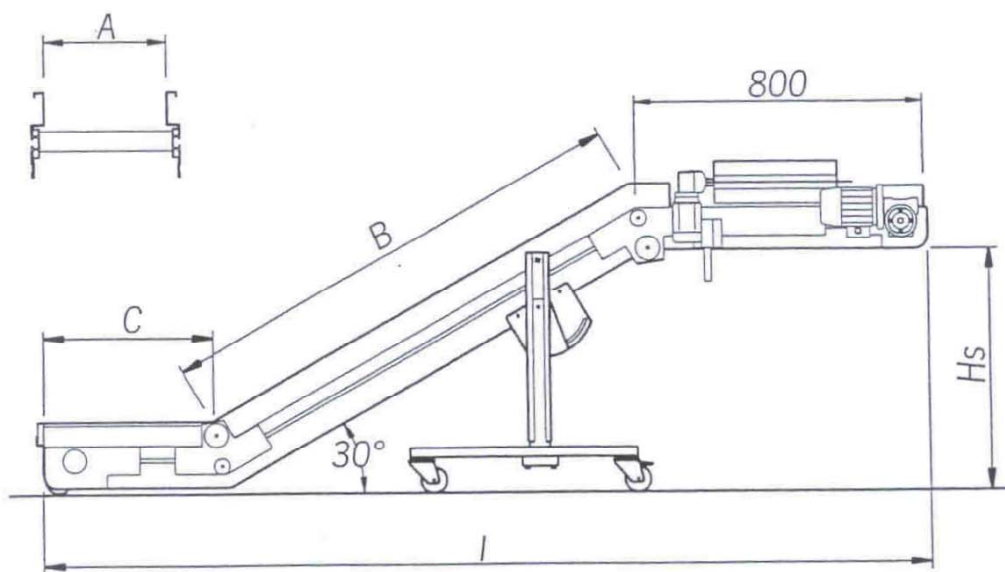


CONVEYOR BELTS

- 1) Motor power 0,18kW
- 2) Standard speed 3m/s.
- 3) Belt with blue PU covering , smooth, thickness 1,6mm, with vulcanized junction, complete with different heights $h=35\text{mm}$ pitch 500mm working temperature from -10°C to 90°C .



Mod.	A	B	C	HS	I
SBCPST10	240	1300	700	660	2800
SBCPST20	340	1800	700	910	3150